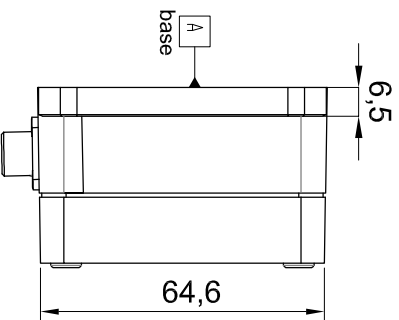
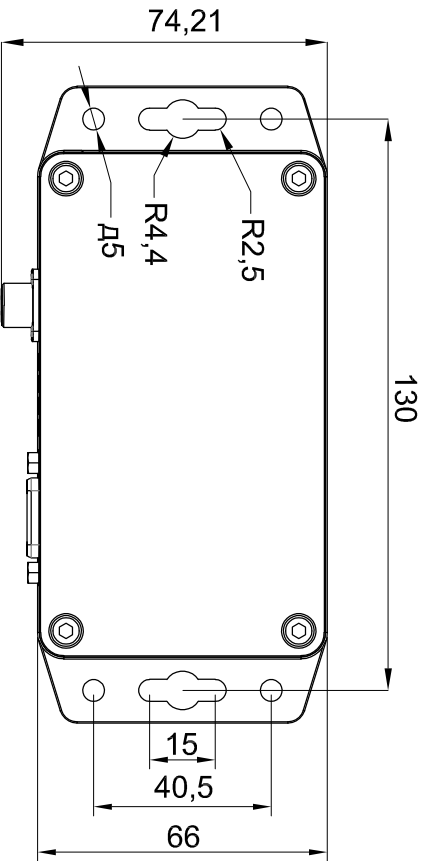
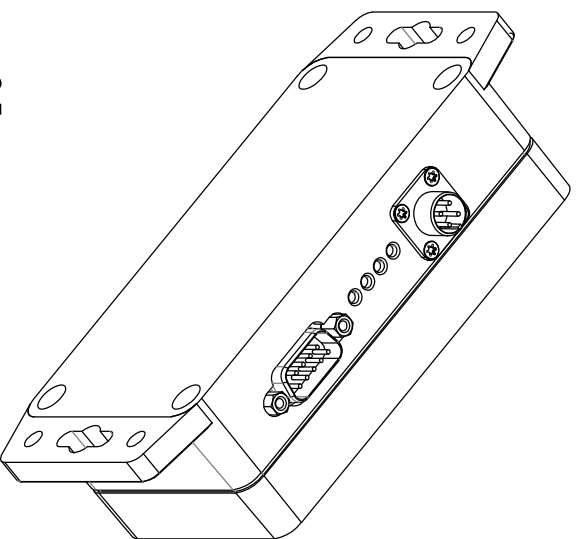
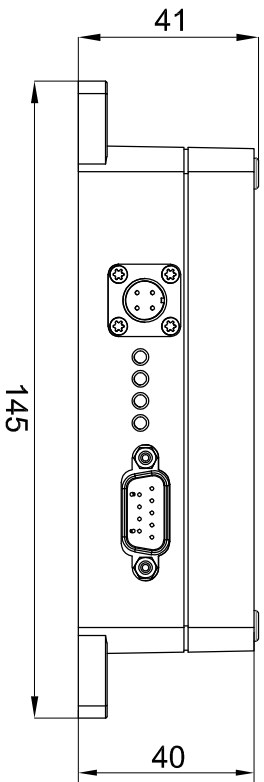


Glance EMS-CAN



Modifications		Name	Date	Description	Page
Name	Date			Glance EMS-CAN	1
edit:					
check:					
Norm:					
				Schematic no.	
				GA.OP.E002.020.190001	1
				of	1