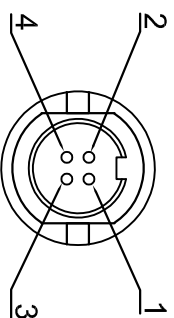
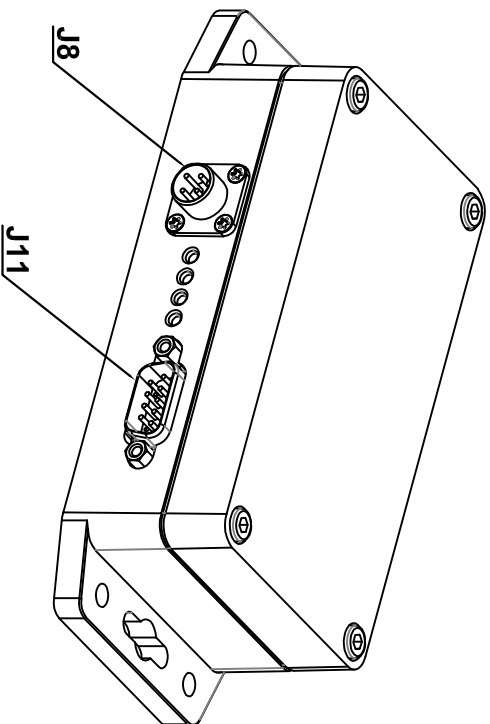
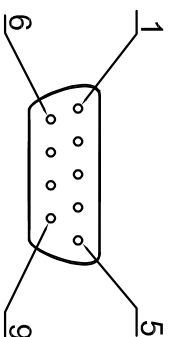


# Glance EMS-CAN



**J8 (RST4TV)**



**J11 (D-SUB9M)**

Connector	PIN	Description
J8	1	GND
	2	CAN Low
	3	CAN High
	4	Power supply (9-35V)
J11	1	Fuel level sensor 2
	2	DCC +
	3	GND CAN
	4	CAN 1 High
	5	CAN2 High
	6	Fuel level sensor 1
	7	DCC -
	8	CAN1 Low
	9	CAN2 Low

Modifications		Name	Date	Description	Page
Name	Date	edit:			
		check:		Glance EMS-CAN	1
		Norm:			
Schematic no.				GA.OE.E002.020.190001	1